



# STRUT MOUNT

## Installation Guidelines

### Part No. ISST004

Suitable for Toyota:  
Landcruiser 200 Series

#### Struts:

12720GR, 24720FE, 45720FE

#### Springs:

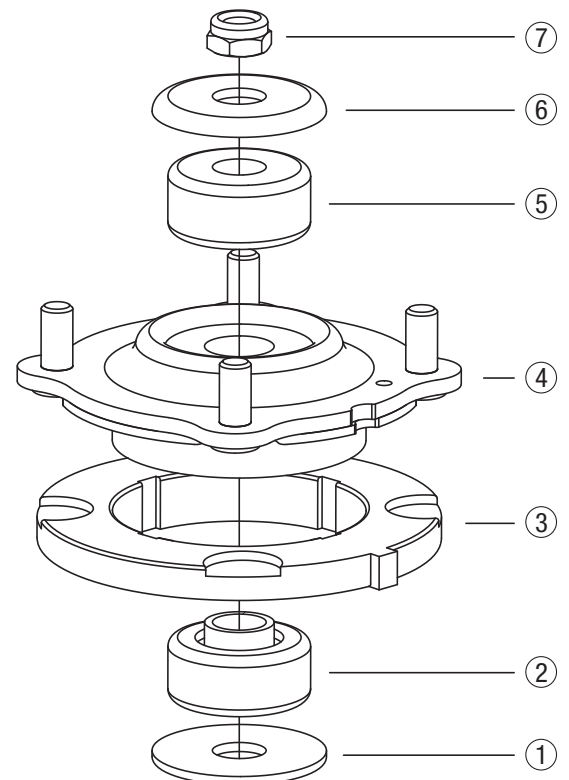
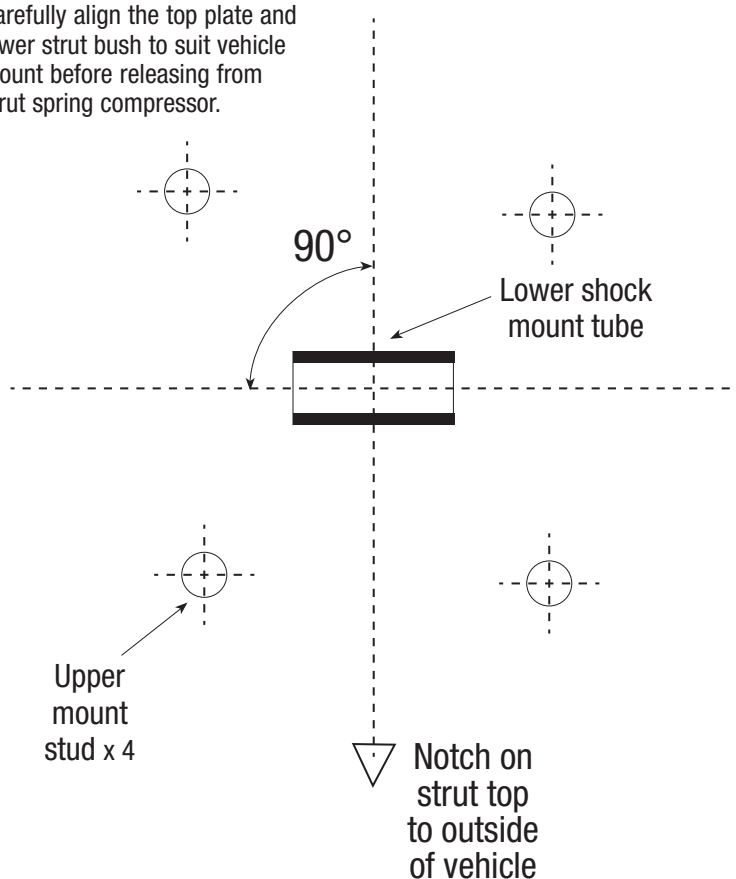
TOY063S, TOY063A,  
TOY063B, TOY063C

#### **WARNING:**

**DO NOT LOOSEN OR REMOVE CENTRE TOP NUT UNTIL ALL SPRING TENSION HAS BEEN CONTAINED USING A HIGH QUALITY STRUT SPRING COMPRESSOR.**

- Refer to vehicle manufacturers workshop manual for detailed removal and installation instructions.
- Expert knowledge and special tools will be required
- Follow assembly illustration as a guide only.
- Use newly supplied bushes and washers during re-assembly. Assemble in the order shown below.
- Ensure top nut is tightened fully with coil still compressed by a strut spring compressor.

Carefully align the top plate and lower strut bush to suit vehicle mount before releasing from strut spring compressor.



*Warranty will be voided by damage or failure caused by incorrect procedure.*

*Before proceeding to install strut mounts please fully read guidelines above and ensure that necessary tools are on hand.*

*Always wear personal safety protection ie. Safety glasses and gloves to prevent injury.*