

# Fitting Instructions

## Front Bump-Steer Kit

Code: Z5180

### **Application:**

- Mazda 3 MPS and Ford Focus  
*Always refer to current catalogue for complete application listing.*

### **Contents:**

3 x Anodized Shims  
3 x Rack mounting bolts  
3 x Flat washers  
3 x spring washers

**N.B:** This installation guide should be used in conjunction with the workshop manual.

1. Raise the front of the vehicle and support safely on Jack stands or ramps.

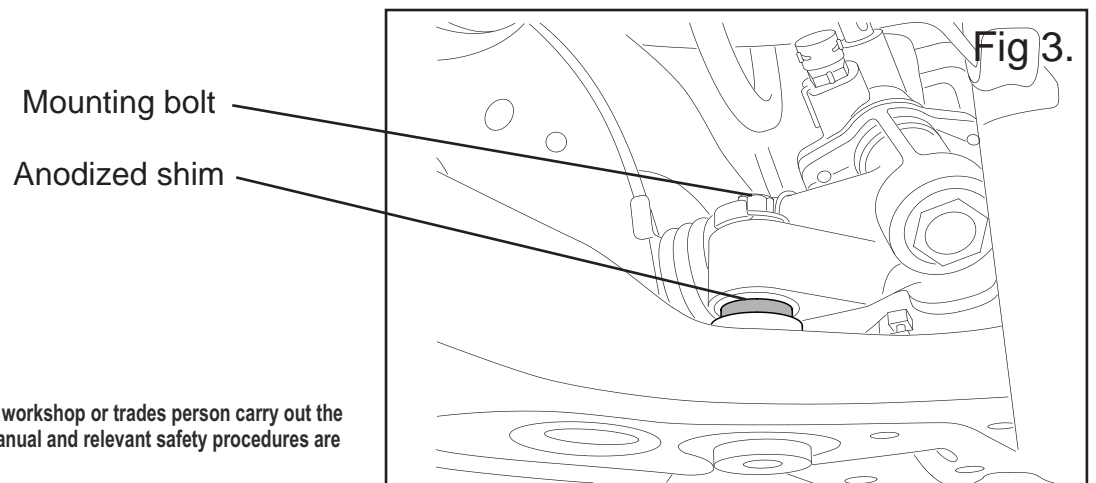
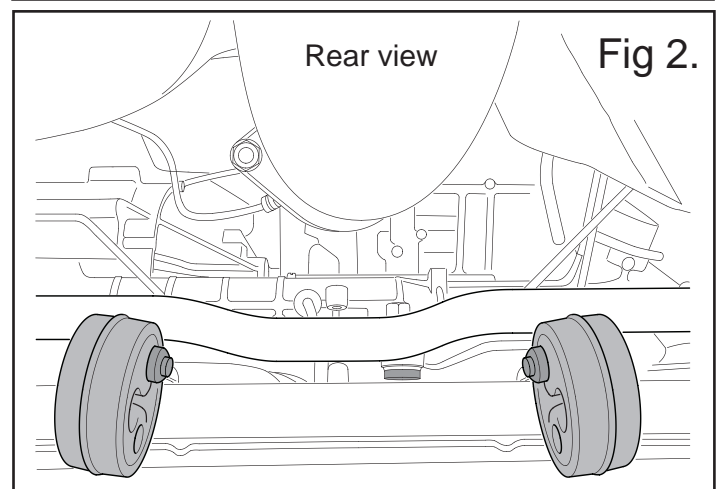
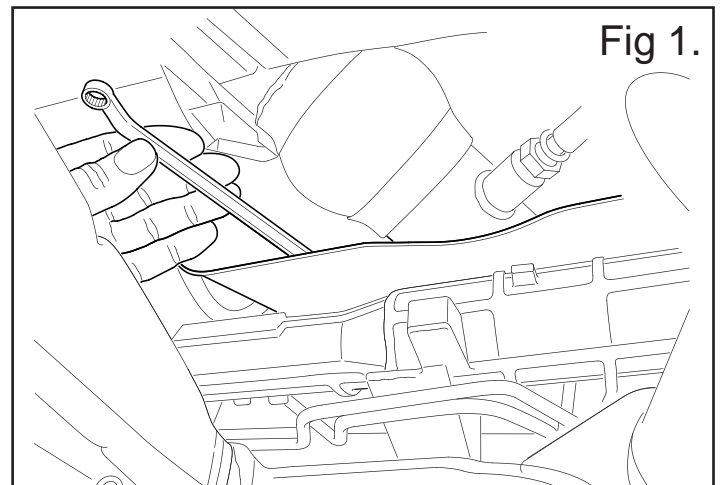
2. Remove the steering rack heat shield as per Fig 1.

3. The factory rack mounting bolts (3) will then have to be completely removed.

4. Next, slide the supplied gold shims under the rack mounting area as per fig 2 and 3.

5. Discard the factory mounting bolts and utilize the supplied longer units with the supplied washers and spring washers.

6. Refit the heat shield and carry out a wheel alignment.



**N.B:** It is recommended that a licenced workshop or trades person carry out the above procedure and that workshop manual and relevant safety procedures are followed in addition to the above.