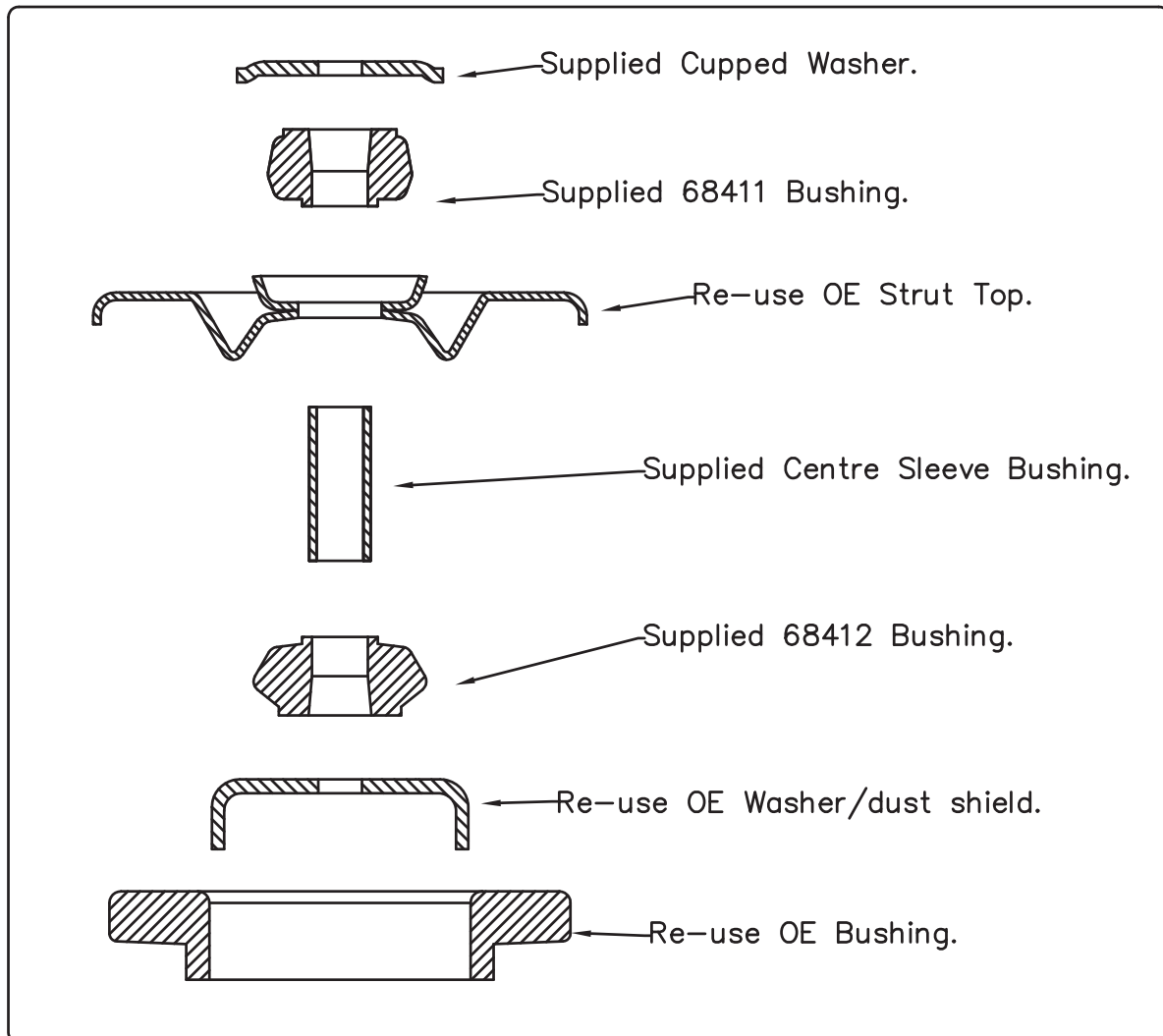


Installation Guide

Front Upper Shock Mount Bushing

- Suits : Nissan Frontier D40 2WD/4WD 12/05–on.
 : Nissan Navara D40 2WD/4WD 12/05–on.
 : Nissan Pathfinder R51 Wagon 4WD 12/05–on.
 : Nissan XTerra 2WD/4WD 12/05–on.
 : Suzuki Equator D40 2WD/4WD 09–on.

(Always refer to the current catalogue for complete application listings).
 N.B. This install guide should be used in conjunction with the workshop manual.



N.B. It is recommended that a licenced workshop or trades person carry out the above procedure and that workshop manual and relevant safety procedures are followed in addition to the above.